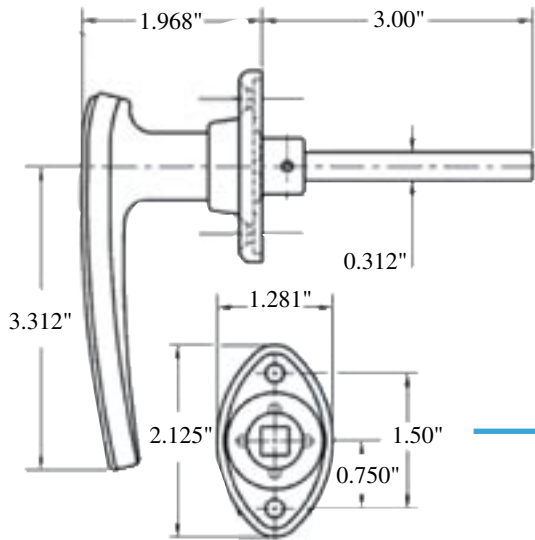


CAB HARDWARE AND INSULATION MATERIALS

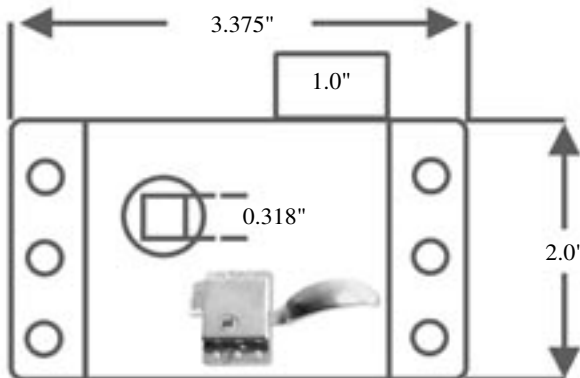
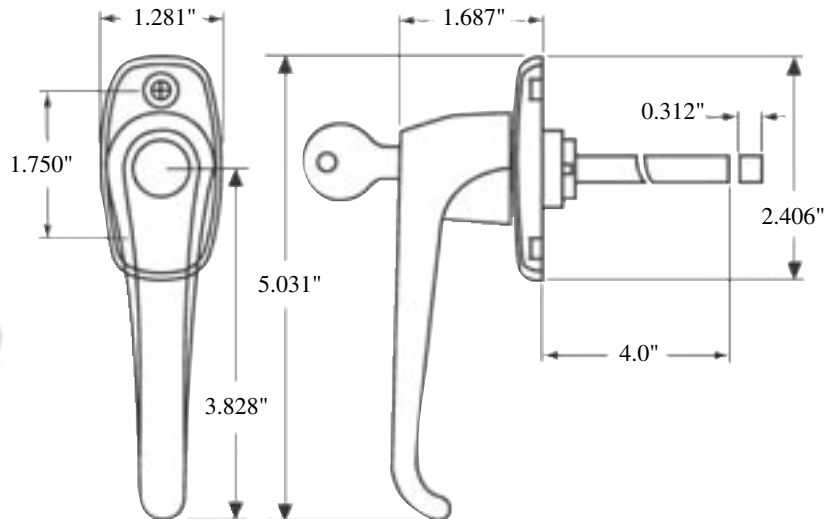
CAB DOOR HANDLES

Model No.	Description:
20062-1/2	Non Locking Handle Steel shank 5/16" square 3" long. Chromium-plated.
G-2	Rubber Gasket



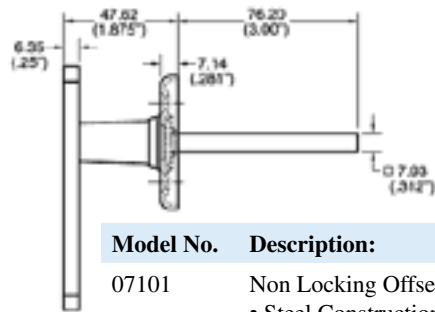
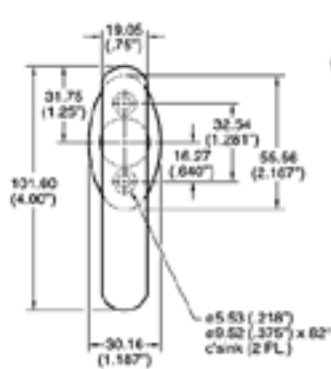
For RUBBER GASKET Order #G-2

Model No.	Description:
GD-303	Locking "L" Handle
G-2	Rubber Gasket



Model No.	Description:
07107	RH Interior Door Lock
07108	LH Interior Door Lock

CAB DOOR HANDLES

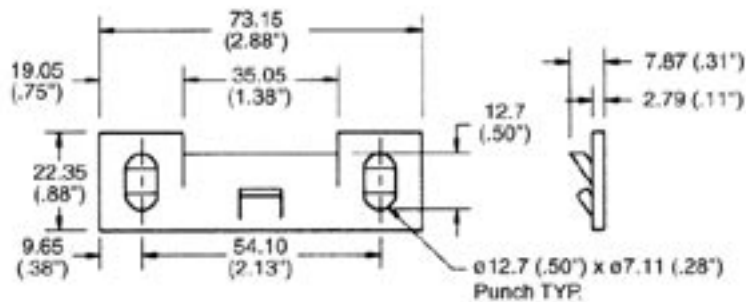


Model No.	Description:
-----------	--------------

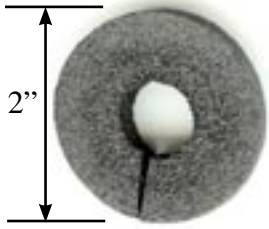
- | | |
|-------|--|
| 07101 | Non Locking Offset T Handle (Zinc) <ul style="list-style-type: none"> • Steel Construction • 360° Rotation • shaft Length 3" • 5/6" Square Shaft • Mounting Holes 1 9/32" C to C • Zinc Finish |
|-------|--|

Model No.	Description:
-----------	--------------

- | | |
|-------|---|
| 5619A | Paddle Latch Strike With Slotted Holes <ul style="list-style-type: none"> • Has a long primary and a shorted secondary catch • No Holes • Plain Steel For use with single point paddle latches |
|-------|---|

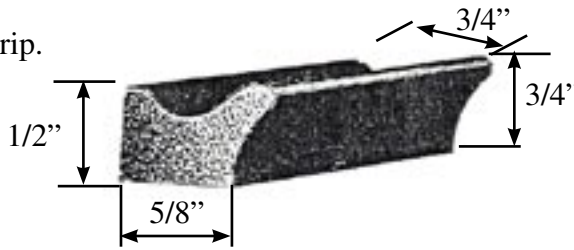


SEALING MATERIALS



07135 Cowling-Fuel tank weather strip (Hollow foam tubing) 6 ft. lengths- priced per foot. (Also includes rubber trim seal to go over the metal edge of cab).

07141 Sold per foot, Door Flange weather strip.



Cab Insulation Materials

Quieter Cabs Can Prevent Hearing Loss

1" Sound Foam with Perforated Vinyl Surface (07601-Black) | 07602-Beige
1/2" Sound Foam with Perforated Vinyl Surface (07604-Black) | (07605-Beige)
 Sound absorption foam. Attractive finished appearance makes this product particularly suitable for vehicle headliners and side panels. Sold Per Lineal Inch **54" Wide**



1 1/4" Barrier/Absorption/Vinyl Covered (07612-Beige)
 1 lb per square foot loaded vinyl barrier is added to 07601, 07602, 07603 absorption material to reduce low frequency noise. Same application as 07601, 07602, 07603 where exterior noise requires a barrier, like when an engine is on the other side of the wall.
24" x 54" Sheets



1" Underside of Engine Hoods (07621-Mylar) (Reflective Foil)
 1" Thick absorption sound foam with cover to prevent contamination of foam. The 07621 with mylar is recommended for use where abrasion resistance and reflectivity are desired. The reflective, impervious wipe-clean surface protects against liquids, oils, water, and many chemical substances. Use in engine compartment, around hydraulics, etc.
Sold Per Lineal Inch 54" Wide



5/16" Under Floor Mat Barrier (07641-Black)
 1 lb per square foot loaded vinyl barrier material with 1/4" thick foam backing. Used to add a low frequency noise barrier under floor mat material 07661, 07662, or 07663. Also to add a barrier to firewall area inside of cab.
Sold Per Lineal Inch 54" Wide






1/2" Composite Barrier Floor Mat (07652-Black)
 Black twist grain wear surface on 1 lb per square foot loaded vinyl barrier with 3/8" thick closed cell sponge backing. Will not absorb water or other liquids. Excellent traction tread.
Sold Per Lineal Inch 54" Wide



Cab Insulation Materials

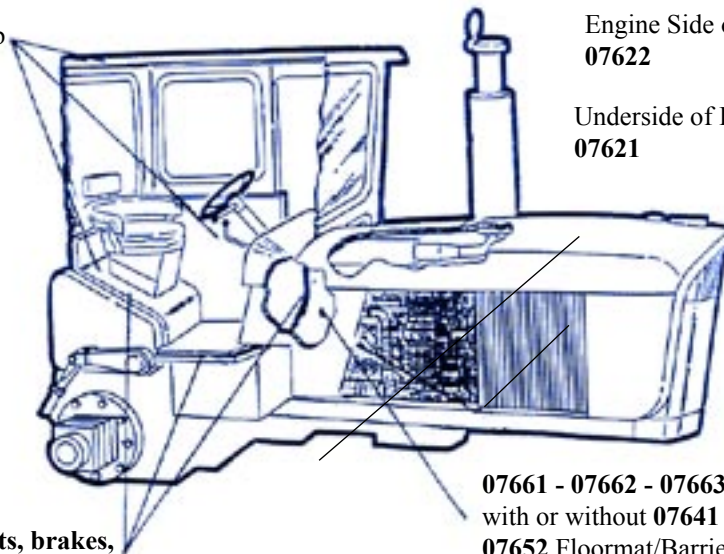
Quieter Cabs Can Prevent Hearing Loss

<p>1/2" Floormat (07661-36" wide) (07662-48" Wide) (07663-60" Wide) Black vinyl round ribbed floormat with 3/8" thick closed cell sponge backing. Will not absorb water or other liquids. Easy to clean. Ribs run lengthwise on material. Sold Per Lineal Inch 36" 48" 60" Wide</p>	
<p>07671 -Mounting Plate-For 1" thick Sound Foam Material #07601, 07602, and 07603</p>	
<p>07681 Knob - Black 07682 Knob - Tan 07683 Knob - Mojave Brown Screw Buttons for use with 07671 mounting plate</p>	

Top of Cab / Side of Cab
07601 - 07602
 * **07611 - 07612**

* Use when Working
 in High Noise Areas

Boots
 Cover holes around seats, brakes,
 clutch, and other openings



Engine Side of Firewall
07622

Underside of Engine Hood
07621

07661 - 07662 - 07663 Floormat
 with or without **07641**
07652 Floormat/Barrier

Spray Adhesive - 200° Temperature			
Part No.	Material Size	Can Size	How Sold
Probond	Covers Approximately 20 Sq. Ft.	15 3/4 Fluid Oz.	Per Can

USE OF MATERIALS FOR NOISE CONTROL

The purpose of this article is to discuss the practical uses of noise control materials. This discussion is separated into two categories: absorption materials and barrier materials.

Sound Absorption Materials:

Sound absorption materials are widely used to control the acoustic environment of an enclosed area by reducing the reflection (or bouncing back and forth) of sound waves.

The noise level reduction is dependant on the porous structure of the sound absorption material. Noise level reduction occurs when the vibrating air enters and passes through the porous material. Therefore, this porosity is responsible for the degree of absorption. The absorption is also dependant upon the thickness of the material.

Facings, as on 07601, 07602, 07603, 07611, 07612, 07621 and 07622 actually improve the absorption quality of the material without being as thick.

Sound Absorption In Cabs:

When a diesel engine is enclosed, the sound emitted from the engine strikes the inside wall of the engine compartment and is partly absorbed and partly reflected. Because most common structural materials are massive with smooth solid surfaces, virtually all sound striking the surfaces will be reflected. Sound will then travel through the air inside the engine compartment and may be reflected several times more. The result of these multiple reflections is a significant increase in the level of sound within the engine compartment over the sound level with the engine compartment enclosure not present. The "reverberant" sound energy density builds up until the energy is being dissipated by absorption and by transmission through the compartment boundaries at the same rate that it is being added to the enclosed space. The net practical result of this is that the sound transmission loss of the engine compartment enclosure must provide not only for the reduction in radiation from the source which one wishes to obtain, but it must also provide for an additional noise reduction to account for the reverberant buildup of sound level within the engine compartment enclosure.

The above phenomena occurs inside of an untreated cab.

If the enclosure were lined with an acoustically absorptive material such that it were 100% absorptive on all inside surfaces, there would be no buildup of acoustical energy.

Barrier Materials:

A barrier material is like a wall that blocks the sound from passing through it.

One of the most common mistakes made in the noise reduction field is the use of a sound absorption material as a sound barrier. Sound absorption materials usually make very poor barrier materials because of their porous nature. The ideal barrier has high density, is impervious (does not permit penetration), and is limp. Materials commonly used for barrier applications include heavily loaded plastic, lead sheet, steel sheet, concrete, gypsum board, rubber synthetics, and sheet asphalt.

The most effective noise control is to make the sources as quiet as possible. Once this has been done, the path(s) to the user (receiver) must be made as inefficient as possible.

A cab and/or engine compartment is intended to prevent sound from traveling from a source to a receiver and thus must be effective as a barrier to sound. It is assumed in the following discussion that a cab is being described such that the sound heard inside the cab has been transmitted through the walls of the cab from the outside and from the engine.

Perhaps the most important consideration for effective use of barrier materials is to obtain an excellent seal. This allows the barrier to work at its full capabilities. Noise will flow out wherever an air leak occurs, and a lot of noise can leak through a very small hole. To overcome the leakage problems, extreme attention to detail is required when applying barrier material. Barriers should be overlapped at the seams whenever possible and caulked or filled when overlapping not possible. When installing floormat and barrier materials around shift or steering levers, etc., a hole or slot must be cut in material which will allow noise to go through. A separate piece of floormat or barrier material should be placed around the levers that will move with them to prevent the noise from coming through the openings.

Composite Materials:

Very few noise problems can be solved by just using an absorption material or a barrier material. More often, both absorption and barrier materials are required. Many of our noise control materials are a composite of both absorption materials and barrier materials.

In an engine compartment, as discussed before, the noise level builds up until the noise is being transmitted through the compartment walls at the same rate it is being created. Absorption will help to lower the noise level by lowering the build up of the noise caused by the bouncing back and forth of the noise. A lower noise level will not transmit as high a noise level into the cab or engine compartment. The barrier material can now do a much better job of blocking the noise from transmitting into the cab or out of the engine compartment.

Warranty:

The test data and information in this bulletin are presented in good faith, and no representations or warranties, written or implied are made by Harold Electric as to such data and information. We disclaim any and all liabilities resulting from the use of the contents of this bulletin and cannot assume any guarantee against patent infringement, liabilities, or risks involved from the use of these products. No claim is made as to the sound level that may be obtained within an enclosure by the use of this material.

THE INSULATOR

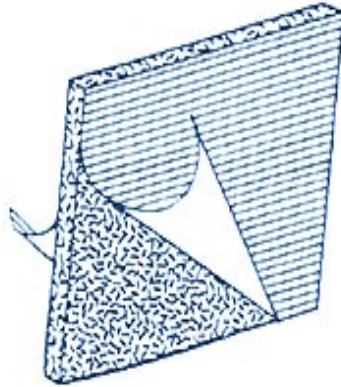
High Performance Environment Control

Eliminates heat, cold, noise, and moisture. Easily installed.

Used on FLOORBOARDS • HEADLINER • DOOR PANELS • FIREWALLS • UNDERHOOD

- Shields up to 400° heat
- Effective cold barrier
- FAA & Coast Guard approved (Special Order)
- Fire Retardant
- Insulates against moisture
- Won't mold or mildew
- Cuts with household scissor
- Easily installed in minutes
- Lightweight material
- Conforms to Federal Motor Vehicle Safety Standard 302

INSULATOR™
DUAL SIDE
ALUMINUM FOIL
Part No. 07695



Specifications	
Product	Dual Side
Weight	32 oz./sq. yd
Foil Thickness	.001 inch
Width of Material	48"
Performance	
Emittance	.03
Reflectivity	.97

WHAT IS "THE INSULATOR?"

The Insulator is a multi-layer thermal-acoustic insulation material. It's unique composite design consists of high grade aluminum foil bonded by thermosetting resins to a multi-fabric padding.

The Insulator unique composite design makes *The Insulator* an effective: ❖ **RADIANT HEAT BARRIER**

❖ **THERMAL HEAT BARRIER**

❖ **VAPOR BARRIER**

❖ **CONSTRAINT LAYER DAMPING MATERIAL**

HOW DOES "THE INSULATOR" WORK?

RADIANT HEAT BARRIER

Radiant heat is energy in the form of invisible infrared rays. It is the major source of heat transfer. In fact, radiation can account for 90% of all heat transferred through walls, floors, ceilings, and doors of automobiles, recreational vehicle, buildings, homes, boats, and airplanes.

Infrared rays are either transmitted through, absorbed into, or reflected by any material it contacts. Laboratory tests show that one sheet of aluminum reflects in excess of 97% of radiant heat. Therefore, a reflective insulation using aluminum foil reflects almost all of the heat back toward its source.

Since a reflective insulation material like *The Insulator* reflects heat, it protects against heat during the hot summer months and keeps heat in during cooler periods.

THERMAL HEAT BARRIER

The Insulator special fiber padding provides excellent R-values to fight conductive heat transfer - the direct flow of heat through matter.

VAPOR BARRIER

Aluminum foil is impervious to moisture and air currents. As such, *The Insulator* is an ideal convection and vapor barrier.

CONSTANT LAYER DAMPING MATERIAL

The Insulator's aluminum foil layers reflect sound back toward its source. It's fiber pad absorbs any penetrating sound waves and reduces vibration. Both combine to make *The Insulator* an excellent **ACOUSTIC SOUND BARRIER**.

For best performance results and maximum service life, we recommend using **Sticky Stuff Spray Adhesive™** to apply **THE INSULATOR™** to surfaces and **INSUL-TAPE™** to seal seams.

Description	Part No.
Sticky Stuff Spray Adhesive™, 16 fl. oz.	07700
INSUL-TAPE™, 30 ft. Roll	07705

*All kits are pre-cut, pre-sewn, complete, and ready to install with adhesives and instructions. Headliners are included unless otherwise specified. * Specify Model of Tractor-Combine when ordering.



Manufacturers of Original Agri-Cab Liners

QUIETER CABS CAN PREVENT HEARING LOSS



Have you ever noticed how your hearing is affected by the constant howl of the engine, hydraulics, and other tractor functions? It's a proven fact that prolonged exposure to tractor noise can result in permanent hearing loss. A U.S. Health Service Study found that **farmers** show a higher incidence of hearing loss than people in other professions. A farmer working inside a sound-insulated tractor cab is exposed to about 85 decibels. At this level, there is little threat of hearing damage for most people. In older, uninsulated tractors, the noise level could exceed 100 decibels, and cause hearing loss in less than eight hours of exposure! If your old acoustical insulation is gone, sound waves keep bouncing from wall to wall because the foam no longer absorbs them. By replacing your acoustical cab lining, you will lower the high-pitched frequencies of tractor noises that can cause permanent damage to your hearing. In older tractors, even if the vinyl is still on the walls, after 10-15 years, dirt and debris will harden and deteriorate the foam behind the vinyl and much of the sound-guard quality is lost.

Fehr Cab Interiors produces pre-cut interior kits to quiet the cab and restore the original insulation qualities, sound suppression and comfort levels. This is necessary for maintaining tractors of today - it not only makes them cleaner and safer vehicles but also adds to their resale value.

Fehr cab kits make the job of reapplying the new insulation much easier for you by finishing all the necessary sewing, laminating, contouring and forming to ensure easier installation. We take special care to make sure the product satisfies customers with quality custom fit and **original** color and finished appearance. Any kit offered by **Fehr Cab Interiors** can be custom cut in colors other than those previously available from the manufacturer. These kits include all **original** parts, installation instructions, and adhesives. **Fehr Cab Interiors** also takes special care to insure the kits fit as they install many of these kits themselves. We can cut interior insulation pieces to custom-fit **any cab**. After careful measuring, send us your specific dimensions or simply ship your old cab parts to us and we will reproduce them.

Renew your tractor and combine cab liners
Restore back to original materials and sound suppression
Kits are all pre-cut, pre-formed and sewn to fit like original
Custom colors available in any pre-cut kit
Kits include glue and instructions
Quality guaranteed
Pre-cut floormats
Big savings over company prices

**Quality Interior Kits
Custom made by hand
to fit any tractor or
combine cab.**

Available For:

- Allis Chalmers
- Case
- Case IH
- Ford
- International
- John Deere
- Hiniker Cab
- Massey Ferguson
- New Idea Uni Harvester
- Steiger
- Versatile
- White
- Year-A-Round

Also Available:

- Pre-Cut Floormats
- Door Seals

**CALL 1-800-541-8910
FOR PRICE and AVAILABILITY**

Please Have Your
Brand, Model, and Serial Number
Ready when Calling

**Insulation • Wall Liner • Acoustical Foam
For a Quieter, Cleaner, Safer Cab Environment**

HAROLD AG & MOBILE PRODUCTS

FEHR CAB KITS U-7

*All kits are pre-cut, presewn, complete, and ready to install with adhesives and instructions. Headliners are included unless otherwise specified. * Specify Model of Tractor-Combine when ordering.

FEHR CAB INTERIORS		11-28-2012
Manufacturer/Identification	Part No.	Price
Allis Chalmers		
A.C. 200	AC200	222.00
A.C. 210	AC210	250.00
A.C. 440	AC440	249.00
A.C. 6060, 6070, 6080, lower kit only	AC6060L	237.00
A.C. 6060, 6070, 6080, formed headliner only	AC6060H	191.00
A.C. 7000 "Burgandy belly" (1974-1977)	AC7000BU	156.00
A.C. 7030, 7040, 7050, 7060, 7080 "Burgandy belly" (1974-1977)	AC7030BU	156.00
A.C. 7000 "Black belly" (1978-1981)	AC7000BL	291.00
A.C. 7010, 7020, 7045, 7060, 7080 "Black belly" (1978-1981)	AC7010BL	291.00
A.C. 7580, 8550	AC7580	318.00
A.C. 8010, 8030, 8050, 8070 formed headliner only	AC8010H	296.00
A.C. 8010, 8030, 8050, 8070 lower only	AC8010L	238.00
A.C. 4W-220, 4W-305 lower only	AC4W220L	238.00
A.C. 4W-220, 4W-305 formed headliner only	AC4W220H	296.00
A.C. 880 cotton harvestor	AC880CS	176.00
Ag-Chem		
Ag-Chem 544, 554 lower only	AGCH544L	58.00
Ag-Chem 544, 554 formed headliner only (specify speaker location)	AGCH544H	246.00
Ag-chem 664, 844, 854, 864, 1064, 874, 1074 lower only (must specify serial no.)	AGCH664L	273.00
Ag-Chem 664, 844, 854, 864, 1064, 874, 1074, 3 part formed headliner only (must specify serial no., dome light location)	AGCH664H	618.00
AGCO-Allis		
AGCO-Allis 9435, 9455, 9630, 9635, 9650, 9655, 9670, 9675, 9690, 9695, 9815, formed headliner only	AGAL9435H	331.00
Case		
Case 770, 870, 970, 1070, 1170, 1175, 1090	CA1070	270.00
Case 1270, 1370, 1570	CA1270	270.00
Case 1390, 1490, 1690	CA1390	257.00
Case 2470, 2670, 2870, 1 door cab	CA24701	264.00
Case 2470, 2670, 2 door cab	CA24702	249.00
Case 2090, 2290	CA2090	264.00
Case 2390, 2590	CA2390	264.00
Case 1194, 1294, 1394, 1494, 1594 lower only (specify model no.)	CA1394	247.00
Case 1896, 2096, 2094, 2294, 3294	CA2094	277.00
Case 2394, 2594, 3394, 3594	CA2394	277.00
Case 4490, 4690, 4890	CA4490	264.00
Case 4494, 4694, 4894, 4994	CA4494	284.00

*All kits are pre-cut, presewn, complete, and ready to install with adhesives and instructions. Headliners are included unless otherwise specified. * Specify Model of Tractor-Combine when ordering.

FEHR CAB INTERIORS		11-28-2012
Manufacturer/Identification	Part No.	Price
Case IH		
Case IH 585, 685, 885, 595, 695, 895, 995, 3230, 4210, 4230, 4240 lower only	CIH585L	304.00
Case IH 5120, 5130, 5140, 5220, 5230, 5240, 5250 formed lower only	CIH5120L	486.00
Case IH 5120, 5130, 5140, 5220*, 5230*, 5240*, 5250* door panel set (*bsn 1020700)	CIH5120DP	75.00
Case IH 5120, 5130, 5140, 5220, 5230, 5240, 5250 formed headliner only	CIH5120H	215.00
Case IH 7110, 7120, 7130, 7140, 7150 lower only	CIH7110L	206.00
Case IH 7110, 7120, 7130, 7140, 7150, 7210, 7220, 7230, 7240, 7250 formed headliner only	CIH7110H	200.00
Case IH 7110, 7120, 7130, 7140, 7150 lower only (w/formed RH console side)	CIH7110L1	293.00
Case IH 7110, 7120, 7130, 7140, 7150 formed post set	CIH7110P	165.00
Case IH 7210, 7220, 7230, 7240, 7250, 8910, 8920, 8940, 8950 lower only	CIH7210L	206.00
Case IH 7210, 7220, 7230, 7240, 7250, 8910, 8920, 8940, 8950 lower only (w/formed RH console side)	CIH7210L1	293.00
Case IH 7210, 7220, 7230, 7240, 7250, 8910, 8920, 8940, 8950 formed post set	CIH7210P	177.00
Case IH 8910, 8920, 8940, 8950 formed headliner only	CIH8910H	223.00
Case IH MX 180*, MX 200*, MX 240*, MX 270* lower only (*bsn 105000) (w/out cd plyr/stge cmpt.)	CIHMX180L1	891.00
Case IH MX 180*, MX 200*, MX 240*, MX 270* lower only (*asn 104999) (standard & deluxe cab w/o cd plyr/stge cmpt.)	CIHMX180L2	891.00
Case IH MX 180*, MX 200*, MX 240*, MX 270* std. headliner only (*bsn 105000)	CIHMX180H1	500.00
Case IH MX 180*, MX 200*, MX 240*, MX 270* dlx. headliner only (*bsn 105000)	CIHMX180H2	500.00
Case IH 9110, 9130, 9150, 9170, 9180 (brown)	CIH9130BR	249.00
Case IH 9110, 9130, 9150, 9170, 9180 (gray)	CIH9130G	249.00
Case IH 9190	CIH9190	307.00
Case IH 9210, 9230, 9240, 9250, 9260, 9270, 9280, 9310, 9330, 9350, 9370, 9380, 9390 (deluxe cab)	CIH9230	277.00
Case IH 9210, 9230, 9240, 9250, 9260, 9270, 9280, 9310, 9330, 9350, 9370, 9380, 9390 post set (deluxe cab)	CIH9230P	99.00
Case IH 1620, 1640, 1660, 1670,s.h., 1680, 1644, 1666, 1668	CIH1620	254.00
Case IH 1800, 1822, 1844, 2022, 2044, 2055 cotton picker/stripper	CIH1800CP	254.00
Case IH 8820, 8825, 8830, 8840, 8850 swather	CIH8820S	299.00
Deutz Allis		
Deutz Allis 9130, 9150, 9170, 9190 formed headliner only	DEAL9130H	297.00
Deutz Allis 9130, 9150, 9170, 9190 lower only (specify manual/air seat)	DEAL9130L	466.00
Ford		
Ford 2600, 3600, 4100, 4600 lower only (small metal toolbox)	FO3600L	223.00
Ford 8600, 9600	FO8600	372.00
Ford 5700, 6700, 7700, 8700, 9700 lower only (small metal toolbox)	FO6700LS	223.00

*All kits are pre-cut, pre-sewn, complete, and ready to install with adhesives and instructions. Headliners are included unless otherwise specified. * Specify Model of Tractor-Combine when ordering.

FEHR CAB INTERIORS		11-28-2012
Manufacturer/Identification	Part No.	Price
Ford Cont.		
Ford 5700, 6700, 7700, 8700, 9700 lower only (padded toolbox)	FO6700LL	250.00
Ford TW-10, TW-20, TW-30, lower only (padded toolbox)	FOTW10LL	250.00
Ford TW-10, TW-20, TW-30, lower kit (small metal toolbox)	FOTW10LS	223.00
Ford TW-5, TW-15, TW-25, TW-35, 6710, 7710, 7810, 8210 (blue) lower only (padded toolbox)	FOTW5LL	250.00
Ford TW-5, TW-15, TW-25, TW-35, 6710, 7710, 7810, 7910, 8210 (blue) lower only (small metal toolbox)	FOTW5LS	223.00
Ford TW-5, TW-15, TW-25, TW-35, 6710, 7710, 7810, 7910, 8210 (black) Series 2 lower only	FOTW5S2L	196.00
Ford 8530, 8630, 8730, 8830 lower only	FO8530L	196.00
Ford Series 8530, 8630, 8730, 8830 formed headliner only (must specify with or without escape hatch)	FO8530H	378.00
Ford 5600, 6600, 7600 lower only (small metal toolbox)	FO5600L	223.00
Ford 5610, 6610, 7610 (blue) lower kit (small metal toolbox)	FO5610L	223.00
Ford 5610, 6610, 7610 (black) series 2 lower only	FO5610S2L	196.00
Ford Series 1 (blue) formed headliner only (fits all series 1 cabs)	FOH	308.00
Ford headliner push pins (for above headliner; needs 16)	FOHPP	1.10
Ford Series 1 (blue) padded toolbox lid insert (specify size 8 3/4 x 15 1/2 x 8 3/4 x 17)	FOS1TBL	67.00
Ford Series 2 (black) formed headliner only (fits series 2 cabs) (specify w or w/o escape hatch)	FOH2	378.00
Ford Series 2 & 30 Series headliner push pins (need 14)	FOH2PP	1.10
Ford FW-20, FW-30, FW-40, FW-60 (must specify year)	FOFW30	287.00
Gleaner		
Gleaner G, L, M (short back)	GLSHB	108.00
Gleaner F-2, K-2, L-2, M-2 (black)	GLFB	170.00
Gleaner F-2, K-2, L-2, M-2, F-3, L-3, M-3 (tan)	GLFT	170.00
Gleaner N-5, N-6, N-7 (black)	GLNB	170.00
Gleaner N-5, N-6, N-7 (tan)	GLNT	170.00
Gleaner R-5, R-6, R-7, R-40, R-50, R-60, R-70 (tan)	GLRT	170.00
Gleaner R-40, R-50, R-60, R-70 (gray)	GLR40GR	170.00
Hesston		
Hesston 6450, 6455, 6550, 6555, 6650, 6655 swather	HES6450S	299.00
Hesston 8100, 8200, 8300, 8400, 8500 swather	HES8100S	299.00
International		
IH 766, 966, 1066, 1466, 1566, 1568, Hydro 100 (deluxe cab)	IH1066	183.00
IH 66 & 68 series dash cover (specify non hydro or hydro)	IH66C;H	77.00
IH 186, 886, 986, 1086, 1486, 1586 lower only (black)	IH86LBL	137.00
IH 186, 886, 986, 1086, 1486, 1586 lower only (w. brown)	IH86LBR	150.00
IH 186, 886, 986, 1086, 1486, 1586 lower only (burgandy)	IH86LBU	143.00

*All kits are pre-cut, pre-sewn, complete, and ready to install with adhesives and instructions. Headliners are included unless otherwise specified. * Specify Model of Tractor-Combine when ordering.

FEHR CAB INTERIORS		11-28-2012
Manufacturer/Identification	Part No.	Price
International Cont.		
IH 3088, 3288, 3488, 3688, 5088, 5288, 5488 lower only (black)	IH5088BL	147.00
IH 3088, 3288, 3488, 3688, 5088, 5288, 5488 lower only (w. brown)	IH5088BR	154.00
IH 3088, 3288, 3488, 3688, 5088, 5288, 5488 lower only (burgandy)	IH5088BU	154.00
IH 3388, 3588, 3788 lower only (black)	IH3388BL	143.00
IH 3388, 3588, 3788 lower only (w. brown)	IH3388BR	150.00
IH 3388, 3588, 3788 lower only (burgandy)	IH3388BU	143.00
IH 6388, 6588, 6788, 7288, 7488 lower only (black)	IH6388BL	147.00
IH 6388, 6588, 6788, 7288, 7488 lower only (w. brown)	IH6388BR	154.00
IH 6388, 6588, 6788, 7288, 7488 lower only (burgandy)	IH6388BU	147.00
IH 86 & 88 upper door panels (no handles) (specify color)	IH8688UDP	116.00
IH 86 & 88 series headliner (pre-sewn to fit original form)	IH86H	156.00
IH 4366, 4566, 4568	IH4366	249.00
IH 4386, 4586, 4786 (specify black or burgandy)	IH4386	374.00
IH 615, 715 (specify black or light tan)	IH715	233.00
IH 815, 915 (specify black or light tan)	IH815	160.00
IH 1420, 1440, 1460, 1470 s.h., 1480	IH1420	172.00
IH 1400, 782 cotton stripper/picker headliner only	IH1400H	141.00
John Deere		
JD 3020, 4020, 4320 (Henson factory cab only)	JD3020	218.00
JD 4620 (Henson factory cab only)	JD4620	218.00
JD 6030 (Henson factory cab only)	JD6030	308.00
JD 4030, 4230, 4430, 4630 lower only (1973-1975; cab serial above door: bsn 63624)	JDEM30L	154.00
JD 4030, 4230, 4430, 4630 lower only (1975-1977; cab serial above door: asn 63623)	JDLM30L	154.00
JD 4030, 4230, 4430, 4630 LM update lower only (asn 63623)	JDLM30L1	196.00
JD 4030, 4230, 4430, 4630 post set	JD30P	68.00
JD 4040, 4240, 4440, 4640, 4840 lower only (1978-1979; cab serial above door: bsn 185707)	JDEM40L	196.00
JD 4040, 4240, 4440, 4640, 4840 lower only (1979-1982; cab serial above door: asn 185706 or begins with SG-22)	JDLM40L	196.00
JD 4040, 4240, 4440, 4640, 4840 post set (1978-1979; cab serial above door: bsn 185707)	JDEM40P	68.00
JD 4040, 4240, 4440, 4640, 4840 post set (1979-1982; cab serial above door: asn 185706 or begins with SG-22)	JDLM40P	68.00
JD 30 & 40 series 4wd 3 part formed headliner only	JDHBL4	269.00
JD 30 & 40 series update replacement dash assembly	JDDABL	154.00
JD 4050, 4250, 4450, 4650, 4850 lower only	JD50L	196.00
JD 4050, 4250, 4450, 4650, 4850 post set	JD50P	68.00
JD 50 series rh fender cover material only (1983)	JDRFFC	21.00

*All kits are pre-cut, presewn, complete, and ready to install with adhesives and instructions. Headliners are included unless otherwise specified. * Specify Model of Tractor-Combine when ordering.

FEHR CAB INTERIORS		11-28-2012
Manufacturer/Identification	Part No.	Price
JD 50 series 3 part formed headliner only	JDHBR	269.00
JD 50 series lower post & headliner	JD50LPH	513.00
John Deere Cont.		
JD 50 series replacement dash assembly	JDDABR	154.00
JD 50 series dash cover (material only)	JD50CC	71.00
JD 4055, 4255, 4755, 4955, 4560, 4760, 4960 lower only	JD55L	196.00
JD 4055, 4255, 4755, 4955, 4560, 4760, 4960 post set	JD55P	68.00
JD 55 series 3 part formed headliner (deluxe; with front speakers)	JD55HA	327.00
JD 55 series 3 part formed headliner (standard; w/out front speakers)	JD55HB	269.00
JD 55-60 series lower post & standard headliner	JD55LPHA	573.00
JD 55 series replacement dash assembly	JD55DA	154.00
JD 1640*, 2040*, 2040S*, 2140*, 2350*, 2550*, 2750*, utility lower only (*bsn: 515547 "early model")	JDU2350L	196.00
JD 1640*, 2040*, 2040S*, 2140*, 2350*, 2550*, 2750*, 2355, 2555, 2755 utility lower only (*asn: 515546 "late model")	JDU2350L2	196.00
JD 2355, 2555, 2755 utility tan lower only (*asn: 751554)	JDU2355LT	196.00
JD 2940, 3040*, 3140*, 2950* lower only (*bsn: 515485 "early model")	JDU2950L	196.00
JD 3040*, 3140*, 3640, 2950, 3050*, 3150, 3350*, 3650, 2955, 3055, 3155, 3255 lower only (*asn: 515484 "late model")	JDU2950L2	196.00
JD 3050, 3350, 3650, 2955, 3055, 3255 utility tan lower only (*asn: 751554)	JDU2955LT	196.00
JD 40, 50*, 55* utility post set (* brown=bsn: 751555)	JDUP	68.00
JD 50, 55 utility post tan set (*asn: 751554)	JDU55PT	68.00
JD 40, 50*, 55* utility 3 part formed headliner only (* brown; bsn 751555)	JDHBR	264.00
JD 50, 55 utility 3 part formed headliner only (tan; asn 751554)	JDU55HT	269.00
JD 40, 50, utility European 3 part formed headliner (escape hatch)	JDHBREU	296.00
JD 40, 50*, 55* utility replacement dash assembly (* brown; bsn 751555)	JDDABR	154.00
JD 50, 55 utility tan replacement dash assembly (*asn: 751554)	JDU55DAT	154.00
JD 6100, 6200, 6300, 6400, 6500 lower only (*bsn: 131952)	JD6100L1	608.00
JD 6100, 6200, 6300, 6400, 6500 lower only (*asn: 131951 - bsn: 146609)	JD6100L2	608.00
JD 6100, 6200, 6300, 6400, 6500 lower only (*asn 146608)	JD6100L3	395.00
JD 6100, 6200, 6300, 6400, 6500 post set only	JD6100P	270.00
JD 6110, 6210, 6310, 6410, 6510, 6405, 6605 LH & RH wall covers	JD6110LRW	126.00
JD 6100, 6200, 6300, 6400, 6500, 6110, 6210, 6310, 6410, 6510, formed headliner only (w/o escape hatch)	JD6100H	229.00
JD 6100, 6200, 6300, 6400, 6500, 6110, 6210, 6310, 6410, 6510 formed headliner only (with escape hatch) (cloth)	JD6100HEU	310.00
JD 6120, 6220, 6320, 6420, 6520, 6215, 6615, 6715 LH wall cover	JD6120LRW	126.00
JD 7200, 7400, 7600, 7700, 7800, 7210, 7410, 7510, 7610, 7710, 7810 lower and post	JD7200L	478.00

*All kits are pre-cut, presewn, complete, and ready to install with adhesives and instructions. Headliners are included unless otherwise specified. * Specify Model of Tractor-Combine when ordering.

FEHR CAB INTERIORS		11-28-2012
Manufacturer/Identification	Part No.	Price
JD 7200, 7400, 7600, 7700, 7800, 7210, 7410, 7510, 7610, 7710, 7810 formed headliner only (vinyl or cloth)	JD7200H;C	229.00
JD 7220, 7320, 7420, 7520, 7515 LH wall cover	JD6120LRW	121.00
JD 7720, 7820, 7920 formed headliner only	JD7720H	249.00
John Deere Cont.		
JD 8100, T, 8200, T, 8300, T, 8400, T, lower & post (must specify serial no. & LH Wall type)	JD8100L	545.00
JD 8100,T, 8200, T, 8300, T, 8400, T, 8110, T, 8210, T, 8310, T, 8410, T, formed headliner only (vinyl or cloth)	JD8100H;C	249.00
JD 8120, T, 8220, T, 8320, T, 8420, T, 8520, T formed headliner only	JD8120H	249.00
JD 8110, T, 8210, T, 8310, T, 8410, T, 8120, T, 8220, T, 8320, T, 8420, T lower & posts (must specify LH wall type)	JD8110L	545.00
JD 7020, 7520	JD7020	322.00
JD 8430, 8630 lower only	JD8430L	196.00
JD 8430, 8630 update post set	JD8430P	81.00
JD 8440, 8640 lower only	JD8440L	235.00
JD 8440, 8640 post set	JD8440P	81.00
JD 8450, 8650, 8850 lower only	JD8450L	239.00
JD 8450, 8650, 8850 post set	JD8450P	81.00
JD 50 series 4wd 3 part formed headliner	JDHBR4	269.00
JD 50 series replacement dash assembly	JDDABR	154.00
JD 8560, 8760, 8960, 8570, 8770, 8870, 8970 lower only	JD8560L	423.00
JD 8560, 8760, 8960, 8570, 8770, 8870, 8970 post set only (specify model no.)	JD8560P	270.00
JD 8560-8970 replacement dash assembly	JD8560DA	255.00
JD 8560, 8760, 8960, 8570, 8770, 8870, 8970 formed headliner only	JD8560H	298.00
JD 9100^, 9200^, 9300^, 9400^, 9120*, 9220*, 9420*, 9520*, 9620* lower & rear post (^specify ser. no.) (*, ^specify LH wall type)	JD9100L	545.00
JD 9300T*, 9400T*, 9320T, 9420T, 9520T, 9620T lower & rear posts (*specify ser. no.) (specify LH wall type)	JD9300TL	553.00
JD 9100, T, 9200, T, 9300, T, 9400, T formed headliner only (specify with or w/out speaker covers) (vinyl or cloth)	JD9100H;C	249.00
JD 9120*, 9220*, T^, 9420*, T^, 9520*, T^, 9620*, T^ formed headliner only (*bsn 40000; ^bsn 906000)	JD9120H	249.00
JD 3300, 4400, 4420	JD4400	184.00
JD 4425, 4435 lower only	JD4425L	184.00
JD 4425, 4435 formed headliner only	JD4425H	254.00
JD 6600, 6002 sh., 7700	JD6600	195.00
JD 6620, 6622 sh., 7720, 7722 sh., 8820 lower only	JD6620L	111.00
JD 6620, 6622 sh., 7720, 7722 sh., 8820 upper back panel	JD6620UBP	62.00
JD 6620, 6622 sh., 7720, 7722 sh., 8820 2 part formed headliner	JD6620H	240.00

*All kits are pre-cut, pre-sewn, complete, and ready to install with adhesives and instructions. Headliners are included unless otherwise specified. * Specify Model of Tractor-Combine when ordering.

FEHR CAB INTERIORS		11-28-2012
Manufacturer/Identification	Part No.	Price
JD 6620, 6622 sh., 7720, 7722 sh., 8820 complete kit	JD6620C	406.00
JD 9400*, 9500*, 9600*, CTS*, 9410, 9510, 9610, CTSII lower only (new style cloth) (*must specify serial no.)	JD9400CL	273.00
John Deere Cont.		
JD 9400, 9500, 9600, CTS, 9410*, 9510*, 9610*, CTSII* 3 part formed headliner only (new style cloth) (must specify serial no. & dome light location)	JD9400CH	619.00
JD 9450, 9550, 9650, 9750, 9560, 9660, 9760, 9860 lower only (new style cloth)	JD9450CL	273.00
JD 9450, 9550, 9650, 9750, 9560*, 9660*, 9760*, 9860* 3 part formed headliner only (new style cloth) (*bsn:715201)	JD9450CH	6194.00
JD 6000, 6100, 6500, 6600, 6700 sprayer back panel only (specify black or tan)	JD6000SBP	58.00
JD 6000, 6100, 6500*, 6600* sprayer 2 part formed headliner only (specify black or tan) (6500*=bsn 10001, 6600*=bsn 2001)	JD6000SH	241.00
JD 6500*, 6600*, 6700 sprayer 2 part formed headliner only (*specify ser. no; 6500*=asn 10000, 6600*=asn 2001)	JD6500SH	246.00
JD 4700*, 4710^, 4720^, 4920^, 4830^, 4930^ sprayer lower and rear posts (*must specify serial no.) (*, ^must specify LH wall type)	JD4700SL	546.00
JD 4700, 4710* sprayer formed headliner only (*bsn: 4001)	JD4700SH	249.00
JD 4710*, 4720^, 4920 sprayer formed headliner only (*asn 4000) (^bsn 7001)	JD4710SH	249.00
JD 484, 7440, 7445, 7450, 7455 cotton stripper & 9910, 9920, 9930, 9935, 9940, 9950, 9960, 9965, 9970, 9976 cotton picker lower only (specify black or tan)	JD9910CPL	121.00
JD 484, 7440, 7445, 7450 cotton stripper & 9910, 9920, 9930, 9940, 9950, 9960, 9965 cotton picker formed headliner only (specify black or tan)	JD9910CPH	241.00
JD 7455 c. stripper & 9935, 9970, 9976 c. picker formed headliner only	JD9935CPH	246.00
JD 7460* c. stripper & 9986, 9996* c. picker formed headliner only (asn: 20001)	JD9986CPH	624.00
JD 7460* c. stripper & 9986, 9996* c. picker lower only (cloth)	JD9986CPL	277.00
JD 5420, 5440, 5460 forage harvester & 2280 windrower	JD5440FH	195.00
JD 2320, 2420, 3430, 3830 windrower & 5720, 5820, 5730, 5830 forage harvester back panel only	JD5720FHBP	95.00
JD 2320, 2420, 3430, 3830 windrower & 5720, 5820, 5730, 5830 forage harvester headliner only	JD5720FHH	241.00
JD 4890, 4895*, 4990*, 4995* windrower lower only (* specify serial no.)	JD4890WDL	273.00
JD 4890*, 4990**, 4895^, 4995^ windrower 3 part formed headliner (*, **, ^ must specify serial no.) (*must specify dome light location) (^ bsn: 320000)	JD4890WDH	619.00
Massey Ferguson		
MF 1080, 1100, 1130, 1150	MF1080	208.00
MF 1085, 1105, 1135, 1155	MF1085	169.00
MF 2675, 2705, 2745, 2770, 2775, 2800, 2805	MF2675	210.00
MF 2640, 3505, 3525, 3545	MF3505	210.00
MF 285 (flat deck)	MF285	215.00
MF 375, 383, 390, 390T, 393, 396, 398, 399 lower only	MF390L	223.00
MF 1500, 1505, 1800, 1805	MF1805	201.00
MF 4800*, 4840*, 4880*, 4900*, 5200 (* specify black or brown)	MF4800	404.00

*All kits are pre-cut, presewn, complete, and ready to install with adhesives and instructions. Headliners are included unless otherwise specified. * Specify Model of Tractor-Combine when ordering.

FEHR CAB INTERIORS		11-28-2012
Manufacturer/Identification	Part No.	Price
MF 540, 550, early model (black)	MF540BL	231.00
MF 540, 550, early model (brown)	MF540BR	231.00
MF 540, 550 late model (with padded steering column)	MF540BRPP	346.00
MF 750, 760 early model (red cab)	MFEM750	231.00
Massey Ferguson Cont.		
MF 750, 760 late model (silver cab)	MFLM750	265.00
MF 850, 855, 860, 865 early model (black)	MFEM860BL	265.00
MF 850, 855, 860, 865 early model (brown)	MFEM860BR	265.00
MF 850, 855, 860, 865 late model (with padded steering column)	MFLM860PP	633.00
MF 8560, 8570, 8590, 9720	MF8560	264.00
New Idea Uni Harvester		
Uni-harvester 708, 709, 800, 801, 802, 803 (1977-1991)	NIUH	148.00
New Holland		
NH 9280, 9480, 9680, 9880, 9282, 9482, 9682, 9882, 9384, 9484, 9684, 9884 lower only (specify model no.)	NH9280L	135.00
NH 9280, 9480, 9680, 9880 headliner only (w/o AC updates; 10 air vents)	NH9280H	385.00
NH 9280*, 9480*, 9680*, 9880*, 9282, 9482, 9682, 9882, 9384, 9484, 9684, 9884 headliner only (*with AC updates; 11 air vents)	NH9282H	419.00
NH TR-70	NHTR70	188.00
NH TR-75, TR-85, TR-95 (specify model)	NHTR75	202.00
NH 1068*, 1069*, 1075*, 1085, 1095 bale wagon (*specify serial number)	NH1068BW	224.00
NH 910, 912, 1100* (*bsn: 349745)	NH910SW	202.00
NH 1100*, 1112, 1114, 1495, 1496, 1499 swather (*asn: 349744)	NH1112SW	224.00
NH 1116, 1118 swather	NH1116SW	224.00
Steiger		
Steiger Series I & II (1969-1974); RC-210 (1976-1977) (must specify year, model name)	STS1S2	260.00
Steiger PT-225, 250, 270, 350; PTA-251, 270, 280, 297, 310, 325; CS & KS-280, 325, 360 (must specify year)	STPT	287.00
Steiger ST-210, 220, 225, 250, 251, 270, 280, 310, 325, 350; CM, KM, SM-225, 250, 280, 360 (must specify year)	STST	287.00
Steiger Series III & IV headliner only (must specify year)	STS3H	187.00
Steiger ST-450, 470, KP-525; CU & CA-280, 325, 360 (must specify year)	ST450	311.00
Steiger ST-450 headliner only (must specify year, serial no.)	ST450H	206.00
Steiger Panther, Lion 1000; CP & KP-1325, 1360, 1400	ST1000	354.00
Steiger Puma, Bearcat, Wildcat, Cougar 1000; CR & KR-1225, 1280	STCRKR1200	249.00
Versatile		
VE 700, 800, 850, 900 series 1 (1973-1975)	VE1	218.00
VE 700, 750, 800, 825, 850, 900, 950 series II (1976-1977)	VE2	162.00
VE 500 series II (1977)	VE500	162.00
VE 500*, 555 (*1978-1979); (must specify year; black or burgandy)	VE555	520.00

*All kits are pre-cut, presewn, complete, and ready to install with adhesives and instructions. Headliners are included unless otherwise specified. * Specify Model of Tractor-Combine when ordering.

FEHR CAB INTERIORS		11-28-2012
Manufacturer/Identification	Part No.	Price
VE 835, 855, 875, 895, 925, 935, 945, 950, 955, 975 series III (1978-1984) (must specify year; black or burgandy)	VE3	520.00
VE 756, 836, 846, 856, 876, 936, 946, 956, 976, 1156 lower only	VE4	453.00
VE 756, 836, 846, 856, 876, 936, 946, 956, 976, 1156 formed headliner	VE4H	322.00
VE 1150 lower only	VE1150	520.00
White		
White-Minn. 955, 1355 (cat 2 hitch)	WHMM9552	223.00
White-Minn. 955, 1355 (cat 3 hitch)	WHMM9553	223.00
White-Oliver 1755, 1855, 1955, 2255 (cat 2 hitch)	WHOL17552	223.00
White-Oliver 1755, 1855, 1955, 2255 (cat 3 hitch)	WHOL17553	223.00
White 2-85, 2-105, 2-150 early model (1975-1978) 1" headliner)	WHEM285	176.00
White 2-85, 2-105, 2-150 late model (1978-1982) (2" headliner & wall fronts)	WHLM285	239.00
White 2-135, 2-155 early model (1" headliner)	WHEM2135	176.00
White 2-135, 2-155, 2-180 late model (1978-1982) (2" headliner and cowl cover)	WHLM2135	336.00
White series III 2-88, 2-110, 2-135, 2-155, 2-180 lower only (Identify by padded posts); (red or update gray)	WH288S3L	466.00
White Series III 2-88, 2-110, 2-135, 2-155, 2-180 formed headliner only	WH288S3H	297.00
White 100, 120, 125, 140, 145, 160, 170, 185, 195 lower only (specify manual/air seat)	WH100L	466.00
White 100, 120, 125, 140, 145, 160, 170, 185, 195 formed headliner only	WH100H	297.00
White American 60 & 80 formed headliner only (bsn: 405028)	WH60H	297.00
White American 60 & 80 lower only	WH60L	466.00
White 6124, 6125, 6144, 6145, 6175, 6195, 6215 formed headliner	WH6124H	331.00
White 4-150, 4-180	WH4150	202.00
White 4-175, 4-210	WH4175	202.00
White 4-225, 4-270 lower only (red or update gray)	WH4225L	532.00
White 4-225, 4-270 formed headliner (red or update gray)	WH4225H	328.00
White 8600, 8800 early model	WHEM8600C	175.00
White 8600, 8800 late model (padded RH console)	WHLM8600C	242.00
White 8700, 8900, 8920	WH8900C	304.00
Hiniker 1200 & 1300 Cabs		
IH 06, 56, 66, 68 complete All other models & brands (headliner & wall panels are precut; 3 ft of uncut material is supplied for under & behind seat)	HIN	230.00
Year-A-Round Cabs		

*All kits are pre-cut, presewn, complete, and ready to install with adhesives and instructions. Headliners are included unless otherwise specified. * Specify Model of Tractor-Combine when ordering.

FEHR CAB INTERIORS		11-28-2012
Manufacturer/Identification	Part No.	Price
IH 06, 56, 66, 68 complete JD 3020, 4020, 4320 complete AC 170, 180, 185, 190 complete All other models & brands (headliner & wall panels are precut; 3 ft of uncut material is supplied for under & behind seat) (specify black or light tan)	YRBL	230.00
Roll Materials *** all bulk roll materials and door seals priced per running foot ***		
Bulk 54 inch wide acoustical foam with vinyl face (available in multiple thicknesses and colors)	RS	22.00
Pre Cut Floor Mats		
AC 200	FAC200	135.00
AC 6060-6080	FAC6060	122.00
AC 7000	FAC7000	116.00
AC 7010-7080	FAC7010	116.00
AC 7580 & 8550	FAC7580	119.00
AC 8010-8070	FAC8010	137.00
AC4W220 & 4W305	FAC4W220	137.00
Case 770-1175	FCA1070	103.00
Case 1270-1570	FCA1270	103.00
Case 2470-2870 (1 or 2 door cab)	FCA2470	138.00
Case 2094-2096	FAC2094	108.00
Case 2394-3594	FAC2394	108.00
Case IH 5120-5250 fits OEM lwr	FCIH5120OL	230.00
Case IH 5120-5250 fits FCI lwr	FCIH5120FL	230.00
Case IH 7110-8950 front mat	FCIH7110F	103.00
Case IH 7110-8950 rear mat	FCIH7110R	75.00
Case IH 9110-9390	FCIH9130	156.00
Case IH 1620-1688	FCIH1620	77.00
Case IH 8820-8850	FCIH8820S	127.00
Ford 5600-7600 (3 part)	FFO6600	164.00
Ford 6700, 7700; 6710, 7710	FFO7700	103.00
Ford 8700, 9700 Series I TW's	FFO8700	103.00
Ford FW series	FFOFW	165.00
Gleaner F, L, M, N, R ("long back", black)	FGLB	118.00
Gleaner F, L, M, N, R ("long back", tan)	FGLT	118.00
Hesston 6450, 6655	FHES6450S	114.00
Hesston 8100-8500	FHES8100S	127.00
IH 966-1568	FIH66	138.00
IH 186-1586 (black)	FIH86BL	77.00
IH 186-1586 (brown)	FIH86BR	77.00
IH 3088-5088 (black)	FIH88BL	77.00
Pre Cut Floor Mats Cont.		

*All kits are pre-cut, pre-sewn, complete, and ready to install with adhesives and instructions. Headliners are included unless otherwise specified. * Specify Model of Tractor-Combine when ordering.

FEHR CAB INTERIORS		11-28-2012
Manufacturer/Identification	Part No.	Price
IH 3088-5088 (brown)	FIH88BR	77.00
IH 3388-3788 (black)	FIH86BL	77.00
IH 3388-3788 (brown)	FIH86BR	77.00
IH 6388-7488 (black)	FIH88BL	77.00
IH 6388-7488 (brown)	FIH88BR	77.00
IH 4366-4568	FIH4366	157.00
IH 4386-4786	FIH4586	158.00
IH 1420-1480	FIH1420	75.00
IH 782	FIH782CP	77.00
JD 3020-4320 Henson Cab	FJD20	110.00
JD 3020-4320 "open station"	FJD20OS	65.00
JD 3020-4320 "open station pwr shift"	FJD20OSP	65.00
JD 4620	FJD4620	108.00
JD 6030	FJD6030	108.00
JD 4030-4630	FJD30	91.00
JD 8430 & 8630 4wd	FJD8430	137.00
JD 6000	FJD6000S	118.00
JD 6500 sprayer	FJD6500S	118.00
JD 4400 combine	FJD4400	88.00
JD 6660, 7700	FJD6600	102.00
MF 1080-1150	FMF1080	122.00
MF 1085-1155	FMF1085	138.00
MF 285 flat deck	FMF285	88.00
MF 2675-2805	FMF2675	138.00
MF 2940, 3505-3545	FMF3505	138.00
MF 1805 4wd	FMF1805	142.00
MF 4800-5200 4wd (2 part mat)	FMF4800	158.00
MF 550-560 silver cab	FMF550S	102.00
MF 750-760 red cab	FMF750R	102.00
MF 750-860 silver cab	FMF750S	102.00
NH 1112-1499	FNH1112	122.00
MF 8560-9720	FMF8560	149.00
NH 1116-1118	FNH1116	121.50
New Idea Uni-Harvester 703-803	FNIU	108.00
Steiger Series I & II (Bearcat, Wildcat models)	FSTS1S2N	157.00
Steiger Series I & II (Cougar, Panther, Tiger)	FSTS1S2W	176.00
Steiger ST, CM, KM, SM front mat	FSTSTF	142.00
Steiger ST, CM, KM, SM rear mat	FSTSTR	46.00
Steiger PT, CS, KS	FSTPT	165.00
Versatile series I	FVE1	145.00

*All kits are pre-cut, presewn, complete, and ready to install with adhesives and instructions. Headliners are included unless otherwise specified. * Specify Model of Tractor-Combine when ordering.

FEHR CAB INTERIORS		11-28-2012
Manufacturer/Identification	Part No.	Price
Pre Cut Floor Mats Cont.		
Versatile series II	FVE2	145.00
Versatile series III	FVE3	165.00
Versatile 555	FVE5553	179.00
Versatile series IV	FVE4	138.00
Versatile 160 B-D	FVEBD	87.00
White Minn; Oliver 955-2255	FWHMM955	102.00
White 2-85, 2-150	FWH2105	115.00
White 2-135, 2-155	FWH2135	115.00
White 60 & 80	FWH60	115.00
White 4-150, 4-180	FWH4150	142.00
White 4-175, 4-210	FWH4175	142.00
White 4-225, 4-270	FWH4225	142.00
White 9700-9720	FWH9700C	149.00
Hiniker IH 06, 66-68	FHNIH	102.00
YAR IH 06, 66-68	FYRIH	137.00
YAR JD 3020-4320	FYRJD	137.00
** Floor matting available in bulk **		

